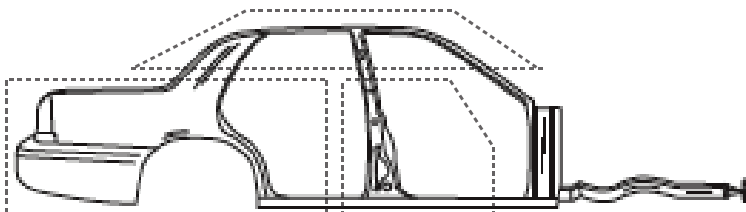




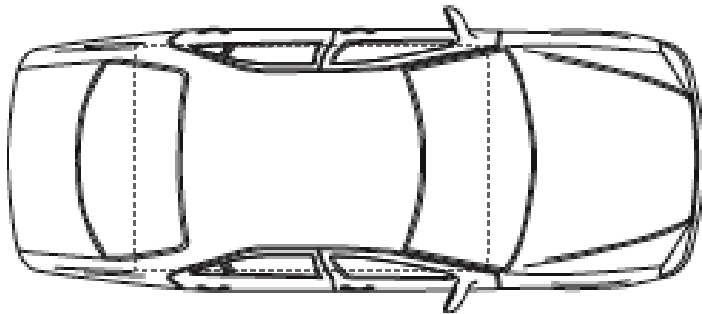
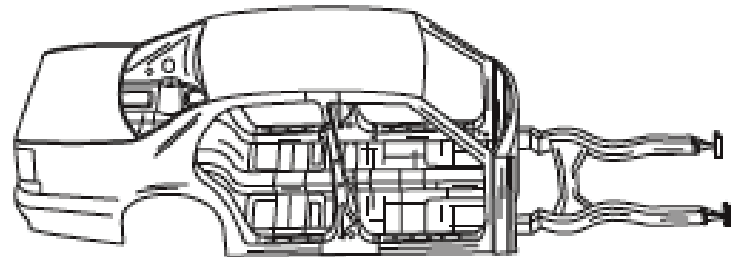
Date: \_\_\_\_\_  
 To: \_\_\_\_\_  
 From: \_\_\_\_\_  
 Fax #: \_\_\_\_\_  
 Phone #: \_\_\_\_\_  
 Year/Make/Model: \_\_\_\_\_

## Recycled Parts Request Form: 4-Door Full Frame

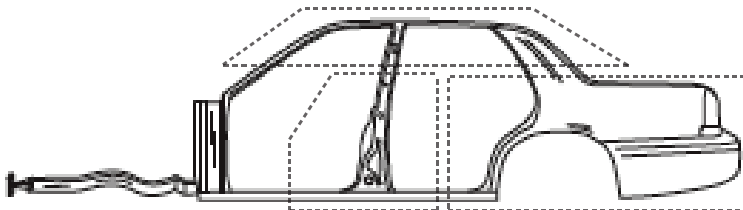
*These illustrations show our standard cuts. A surcharge is applicable for larger cut (beyond the dotted line).  
 Areas not identified by standard cut lines will be quoted accordingly.*



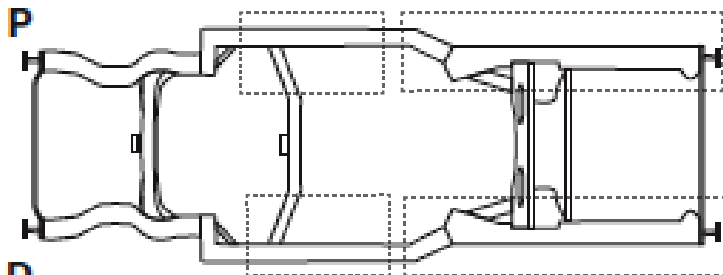
**PASSENGER SIDE**



**TOP VIEW**



**DRIVER SIDE**



**UNDERBODY VIEW**

**Please use the area below for a detail of cut instructions:**

**Notes:**

---



---



---



---